

## Hand-pull Valve



### Ordering code

<b>4H</b>	<b>2</b>	<b>10</b>	-	<b>06</b>	-	<b>L</b>
<b>Specification</b> 4H: 5/2(3) way	<b>Series</b> 2: 200 series 3: 300 series 4: 400 series	<b>Number of places</b> 10: Single-head double-position 30: Single-head three-position		<b>Port size</b> 06: G1/8" 08: G1/4" 10: G3/8" 15: G1/2"		<b>Type</b> Blank: 5/3 way reset type L: 5/3 way locking type

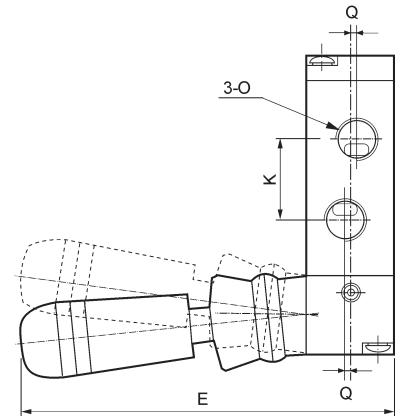
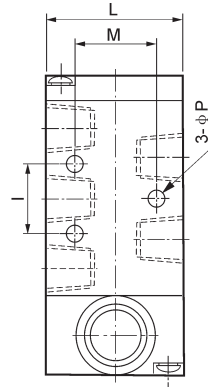
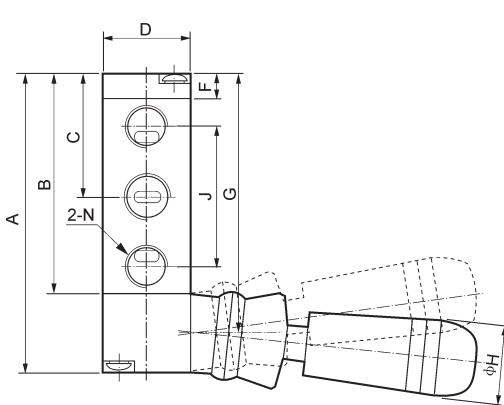
### Specifications

Model	4H210-06	4H210-08	4H230-08	4H310-08	4H310-10	4H410-15
Fluid	40 micron filtered air					
Operation	Direct drive type					
Effective area	14mm <sup>2</sup> (CV=0.78)	16mm <sup>2</sup> (CV=0.89)	12mm <sup>2</sup> (CV=0.67)	25mm <sup>2</sup> (CV=1.4)	30mm <sup>2</sup> (CV=1.68)	50mm <sup>2</sup> (CV=2.79)
Port size	Air inlet=Air outlet =Exhaust=G1/8"	Air inlet=Air outlet=G1/4" Exhaust=G1/8"		Air inlet=Air outlet= Exhaust=G1/4"	Air Inlet=Air outlet= G1/8" Exhaust=G1/4"	Air Inlet=Air outlet= Exhaust=G1/2"
Operating pressure	0~0.8MPa					
Operating temperature	0~60°C					

## Hand-pull Valve

### ● Dimensions

#### 4H Series



Symbol / Model	4H210-06	4H230-06	4H230-06 (Automatic reset)	4H210-08	4H230-08L	4H230-08 (Automatic reset)	4H310-08	4H310-10	4H410-15
A	76	95	95	76	95	95	92	92	126
B	56.5	75.5	75.5	56.5	75.5	75.5	72.5	72.5	102
C	31.5	31.5	31.5	31.5	31.5	31.5	40	40	55.5
D	22	22	22	22	22	22	27	27	34
E	95	95	95	95	95	95	100	100	110
F	6.5	6.5	6.5	6.5	6.5	6.5	7.5	7.5	7.5
G	66.5	85.5	85.5	66.5	85.5	85.5	82.5	82.5	114
H	18	18	18	18	18	18	18	18	18
I	20	20	20	20	20	20	24	24	28
J	36	36	36	36	36	36	45	45	63
K	21	21	21	21	21	21	24	24	36
L	35	35	35	35	35	35	40	40	50
M	21	21	21	21	21	21	27	27	35
N	G1/8	G1/8	G1/8	G1/8	G1/8	G1/8	G1/4	G1/4	G1/2
O	G1/8	G1/8	G1/8	G1/4	G1/4	G1/4	G1/4	G3/8	G1/2
P	4.3	4.3	4.3	4.3	4.3	4.3	4.3	4.3	5.5
Q	-	-	-	1.5	1.5	1.5	-	2	-